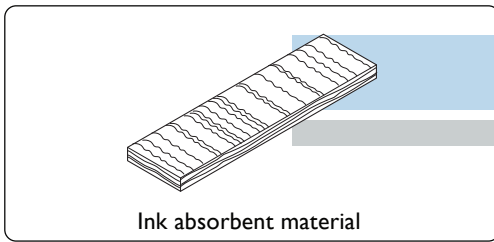




Time for Sponge Replace.

TIME FOR
SPONGE REPLACE ↵

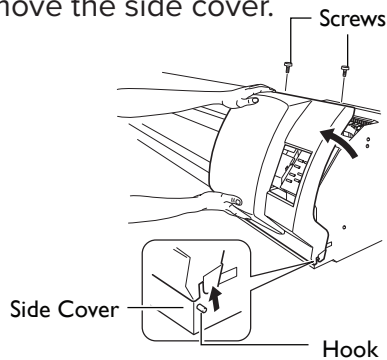
If the screen shown in the figure appears, replace the ink-absorbent material with a new one.



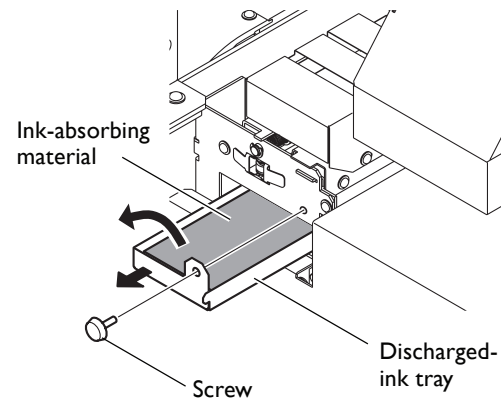
Roland

1 Switch off the sub power and the main power.

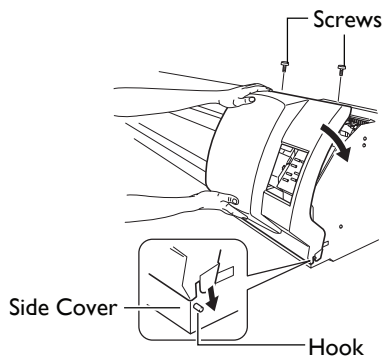
2 Remove the side cover.



3 Pull out the discharged-ink tray and replace the absorbent material.



4 Secure the discharged-ink tray in place and re-attach the side cover.



5 Switch on the main power and the sub power. This screen will be shown.

TIME FOR
SPONGE REPLACE ↵

6 Press **ENTER**

W 500mm
SETUP SHEET

Important notes on this procedure

- Wear gloves when replacing the ink-absorbent material.
- If any ink gets on your hands or clothing, wash it off as soon as possible.
- Dispose of used absorbent material in accordance with your local laws.